

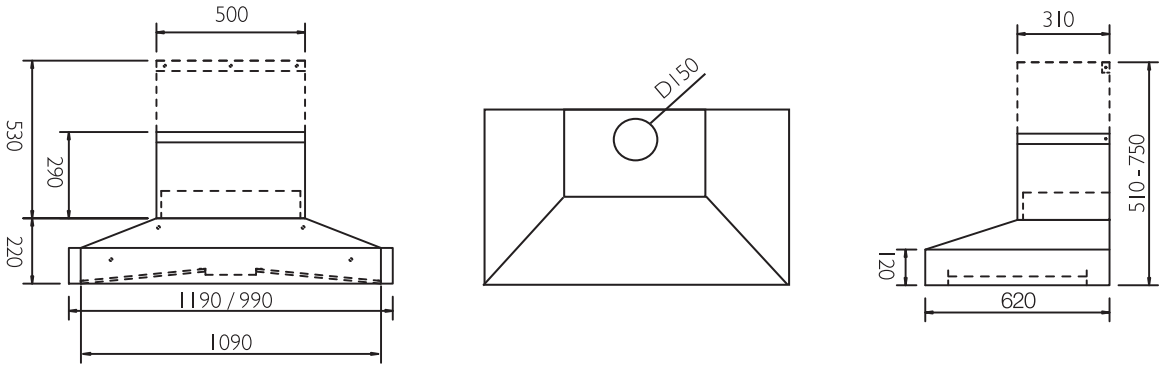
EXTRACTION CANOPIES

DUCT SIZE	150mm diameter			
LIGHT TYPE	2 low voltage, halogen spotlights (12V, 20W each)			
DECIBEL RATING AT 3M	Blower nominal noise when installed at 1m 49 dBA			
DIMENSIONS	PC1000	H 312mm*	W 990mm	D 620mm
	PC1100	H 312mm*	W 1090mm	D 620mm
	PC1200	H 312mm*	W 1190mm	D 620mm
	SC1000	H 315mm*	W 990mm	D 620mm
	SC1100	H 315mm*	W 1090mm	D 620mm
	SC1200	H 315mm*	W 1190mm	D 620mm
	FM900	H 280mm*	W 900mm	D 292mm

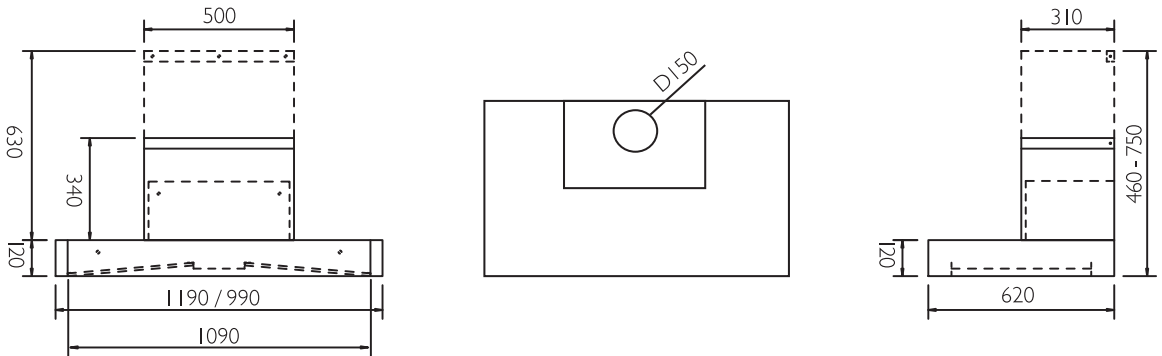
Chimney sections are telescopic to suit most requirements. See above for details.
*Refer to drawings.

WEIGHT	31 kg (68lbs)
POWER SUPPLY	230V 50Hz 3A single phase
BLOWER AIRFLOW, NOMINAL	1000m ³ /hr

PC1000/ 1100 / 1200



SC1000/ 1100 / 1200



FM900

