

hood specifications

Falcon Super Extract Hood

| Dimensions in mm | |
|------------------------------|--------------------------|
| 900 Super extract W x D x H | 900 x 550 x 680 - 970 |
| 1000 Super extract W x D x H | 1000 x 550 x 680 - 970 |
| 1092 Super extract W x D x H | 1092 x 550 x 680 - 970 |
| | |
| Weight 900 Super extract | 23.5 kg |
| Weight 1000 Super extract | 25.5 kg |
| Weight 1092 Super extract | 26.5 kg |
| | |
| Light type | 2 x 50W |
| Stainless steel baffles | 3 |
| Decibel rating | Setting 1 - 56 dba (@1m) |
| Maximum Output | 1000m ³ /hr |
| Motor | 300W |
| Total power | 400W |
| Power requirement | 230V Single phase |
| Duct size | ø150mm |

Falcon XT Hood

| Dimensions in mm | |
|---------------------------------|--|
| 900 XT W x D x H | 898 x 490 x 835 - 1210 max |
| 1200 XT W x D x H | 1198 x 490 x 835 - 1210 max |
| | |
| Weight 900 XT | 21.2 kg |
| Weight 1200 XT | 18.6 kg |
| | |
| Light type | 2 x 20W |
| Stainless steel baffles 900 XT | 3 |
| Stainless steel baffles 1200 XT | 4 |
| Decibel rating | Setting 1 - 46 dba (@0.5m) Setting 2 - 54 dba (@0.5m) Setting 3 - 62 dba (@0.5m) |
| Maximum Output | 850m ³ /hr |
| Power requirement | 230V Single Phase |
| Duct size | ø150 / 120mm |

Falcon Contemporary Hood

| Dimensions in mm | |
|---------------------------|--------------------------|
| 900 W x D x H | 900 x 550 x 550 - 950 |
| 1092 W x D x H | 1090 x 550 x 550 - 950 |
| | |
| Weight 900 Super extract | 26 kg |
| Weight 1092 Super extract | 29 kg |
| | |
| Light type | 2 x 50W |
| Stainless steel baffles | 3 |
| Decibel rating | Setting 1 - 59 dba (@1m) |
| Maximum Output | 1000m ³ /hr |
| Motor | 300W |
| Total power | 400W |
| Power requirement | 220 - 240V Single phase |
| Duct size | ø150mm |

Falcon Built-in Hood

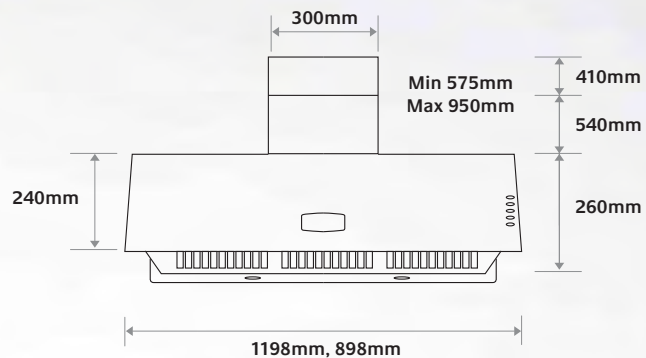
| Dimensions in mm | |
|-------------------------|--|
| W x D x H | 720 x 400 x 175 |
| | |
| Weight | 6.6 kg |
| | |
| Light type | 2 x 50W |
| Stainless steel baffles | 2 |
| Decibel rating | Setting 1 - 46 dba (@0.5m) Setting 2 - 55 dba (@0.5m) Setting 3 - 60 dba (@0.5m) Setting 4 - 64 dba (@0.5m) Intensive - 70 dba (@0.5m) |
| Maximum Output | 870m ³ /hr |
| Motor | 230W |
| Power requirement | 230V Single phase |
| Duct size | ø150 / 120mm with reducer flange |

Falcon Super Flat Hood

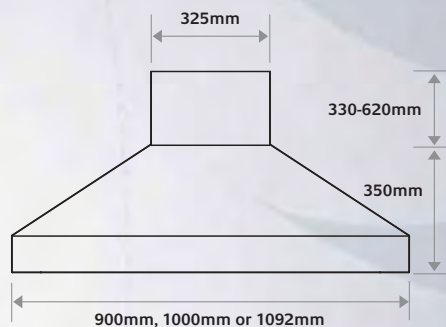
| Dimensions in mm | |
|-------------------------|-------------------------|
| W x D x H | 1098 x 490 x 740 - 940 |
| | |
| Weight | 28.7 kg |
| | |
| Light type | 2 x 20W |
| Stainless steel baffles | 4 |
| Decibel rating | 54dBA - 69dBA |
| Maximum Output | 1000m ³ /hr |
| Motor | 300W |
| Total power | 340W |
| Power requirement | 220 - 240V Single phase |
| Duct size | ø150mm |

hood specifications

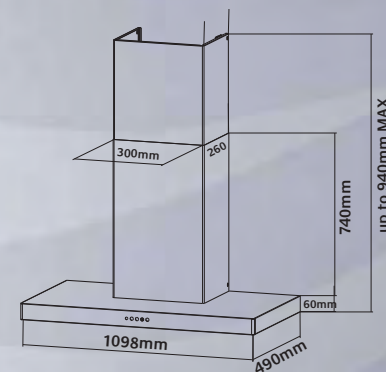
falcon XT hood



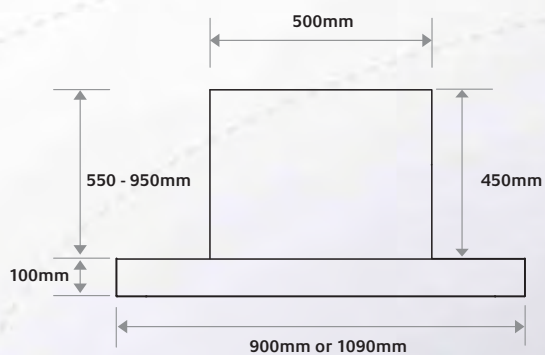
falcon super extract hood



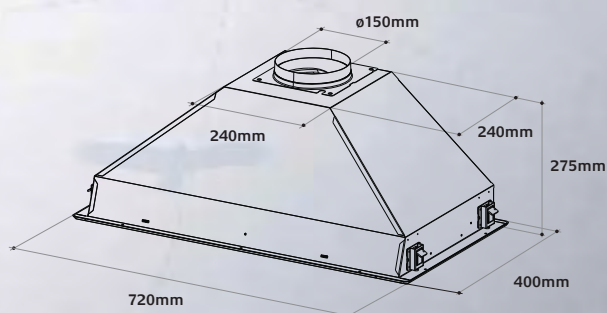
falcon super flat hood



falcon contemporary hood



falcon built-in hood



falcon splashback

