

Specifications

Rayburn Solid Fuel and Wood Classic Series



Features	Models					
	2005FW	2125FW	2165FW	300W	345W	3555FW
Solid hotplate cooking	✓	✓	✓	✓	✓	✓
Domestic hot water (DHW)		✓	✓		✓	✓
Central heating			✓		✓	✓
Ovens						
Cast iron main oven	✓	✓	✓	✓	✓	✓
Lower warming oven	✓	✓	✓	✓	✓	✓
Controls						
Manual	✓	✓	✓	✓	✓	✓
Thermostatic					✓	✓
Fuel						
Manufactured Smokeless Fuel, Wood and Peat	✓	✓	✓			✓
Wood only				✓	✓	
Flue system						
Conventional	✓	✓	✓	✓	✓	✓
Central heating hot water system						
Gravity DHW and pumped open vented heating system			✓		✓	✓
Gravity DHW		✓				
Hot water storage						
190 Litres (40 Gallons)			✓		✓	✓
140 Litres (30 Gallons)		✓				
Boiler output						
Based on burning MSF*	-	6.000btu/h	16.000 btu/h	-	35.000 btu/h	56.000 btu/h
(except 345W, based on burning logs)	-	1.9kW	4.7kW	-	10.5kW	16.0kW
Average No of radiators	N/A	N/A	2-3	N/A	8	10
Weight	319kg	319kg	305kg	370kg	380kg	380kg

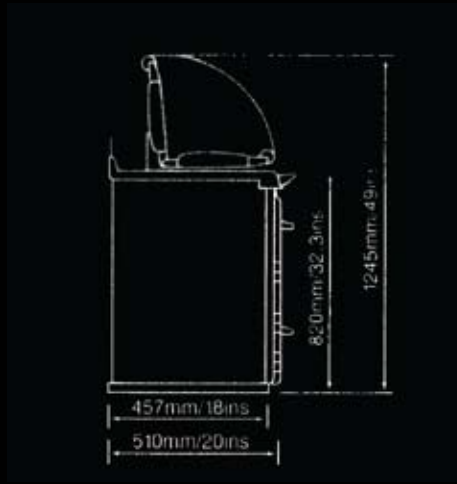
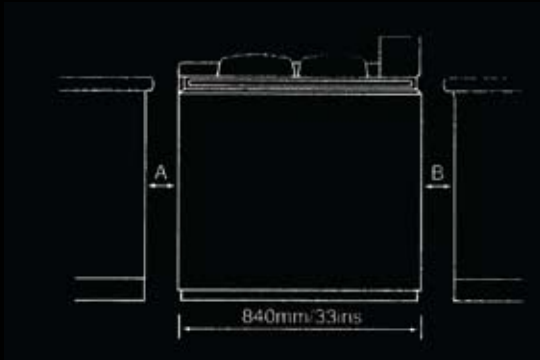
* Manufactured Smokeless Fuel

Dimensions

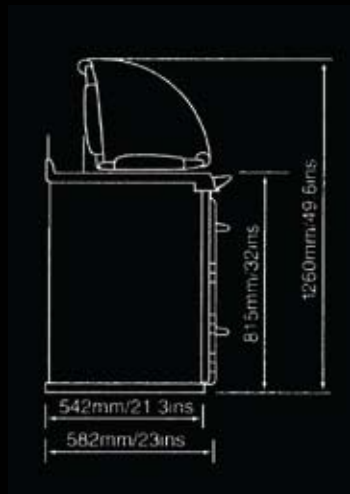
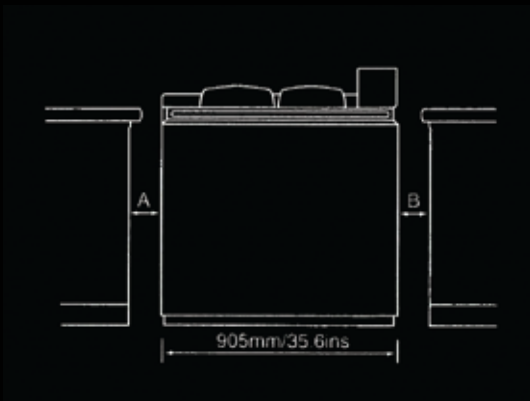
Rayburn Solid Fuel and Wood
Classic Series



200/212/216SF



300W/345W/355SF



Please Note:

1. The distance A&B should be a minimum of 150mm from any combustible material.

Dimensions

Rayburn Solid Fuel and Wood Classic Series



Model series	Hotplate & Oven Dimensions		
	HEIGHT	WIDTH	DEPTH
200 Series			
Hotplate	-	543mm/21.3ins	197mm/7.8ins
Main oven	305mm/12ins	356mm/14ins	403mm/15.8ins
Lower oven	203mm/8ins	356mm/14ins	403mm/15.8ins
300 Series			
Hotplate	-	543mm/21.3ins	273mm/10.7ins
Main oven	305mm/12ins	356mm/14ins	403mm/15.8ins
Lower oven	203mm/8ins	356mm/14ins	403mm/15.8ins

