



Specifications

Rayburn Heatranger Classic



Features	Models													
	208G	208L	2125FW	2165FW	308K	345W	3555FW	440K 440KB	460K 460KB	480CD	480AL	480AG	480K 480KB	499K 499KB
Function														
Cooking	✓	✓	✓	✓	✓	✓	✓	✓	✓	✓	✓	✓	✓	✓
Domestic hot water (DHW)	✓	✓	✓	✓	✓	✓	✓	✓	✓	✓	✓	✓	✓	✓
Central heating				✓		✓	✓	✓	✓	✓	✓	✓	✓	✓
Ovens														
Cast iron main oven	✓	✓	✓	✓	✓	✓	✓	✓	✓	✓	✓	✓	✓	✓
Cast iron lower cooking oven								✓	✓	✓	✓	✓	✓	✓
Lower warming oven	✓	✓	✓	✓	✓	✓	✓							
Controls														
Manual	✓	✓	✓	✓	✓	✓	✓							
Thermostatic						✓	✓	✓	✓	✓	✓	✓	✓	✓
Integral programmer								✓	✓	✓			✓	✓
Optional external programmers											✓	✓		
Fuel														
Propane gas		✓									✓			
Natural gas	✓									✓		✓		
Commercial kerosene to BS2869, Class C2					✓			✓	✓				✓	✓
Manufactured smokeless fuel (MSF) wood or peat			✓	✓			✓							
Wood only						✓								
Flue system														
Conventional	✓	✓	✓	✓	✓	✓	✓	✓	✓		✓	✓	✓	✓
Balanced								✓	✓	✓			✓	✓



Specifications

Rayburn Heatranger Classic



	Models													
Features	208G	208L	2125FW	2165FW	308K	345W	3555FW	440K 440KB	460K 460KB	480CD	480AL	480AG	480K 480KB	499K 499KB
Central heating hot water system														
Fully pumped open and sealed systems								✓	✓	✓	✓	✓	✓	✓
Gravity DWH and pumped open heating systems				✓		✓	✓							
Gravity DWH	✓	✓	✓		✓									
Hot water storage														
Suitable for most cylinder sizes								✓	✓	✓	✓	✓	✓	✓
190 Litres (40 Gallons)				✓		✓	✓							
140 Litres (30 Gallons)	✓	✓	✓		✓									
Electrical supply required								✓	✓	✓	✓	✓	✓	✓
Rapid response								✓	✓	✓			✓	✓
Boiler output	8,000	8,000	6,000	*16,000	8,000	**31,000	*40,000	40,000	60,000	80,000	60-80,000	60-80,000	80,000	100,000
*Based on burning MSF (3hr refuelling cycle)	Btu/h	Btu/h	Btu/h	Btu/h	Btu/h	Btu/h	Btu/h	Btu/h	Btu/h	Btu/h	Btu/h	Btu/h	Btu/h	Btu/h
**Based on burning logs (1 1/2hr refuelling cycle)	2.3kW	2.3kW	1.9kW	4.7kW	2.3kW	9kW	11.7kW	11.7kW	17.6kW	23.4kW	17.6-23.4kW	17.6-23.4kW	23.4kW	29.3kW
Average No. of radiators (Typically 1.5kW output)	N/A	N/A	N/A	2-3	N/A	6	8	8	12	16	16	16	16	20
Weight	318Kg	318Kg	319Kg	305Kg	300Kg	380Kg	380Kg	395Kg	395Kg	350Kg	330Kg	350Kg	395Kg	395Kg

Should you require any further details please contact your nearest Rayburn Specialist or refer to the technical pages on the Rayburn website at www.rayburn-web.co.uk

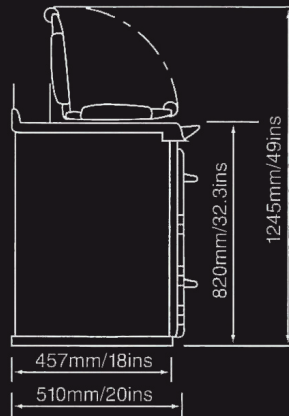
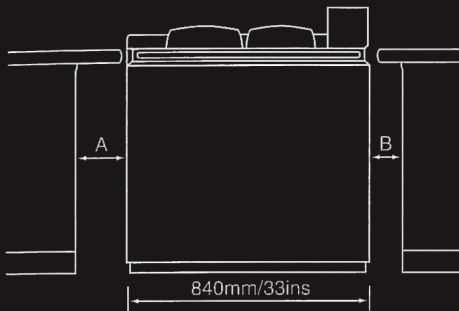
AGA**TWYFORD**

Dimensions

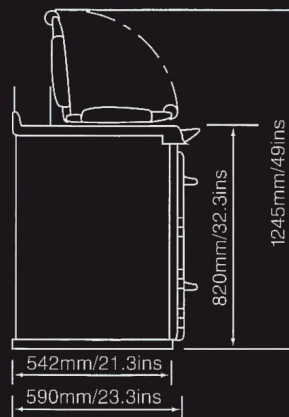
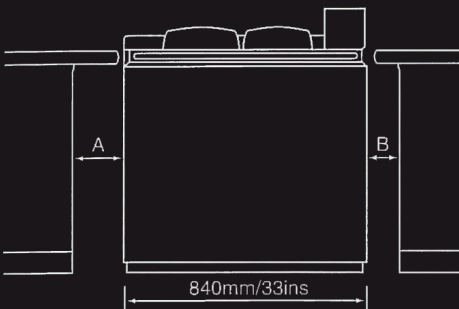
Rayburn Heatranger Classic

RAYBURN

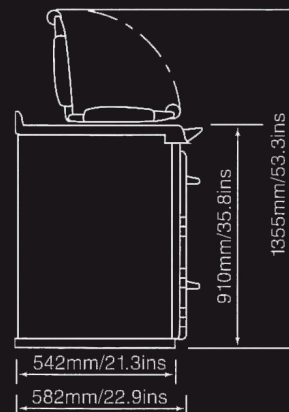
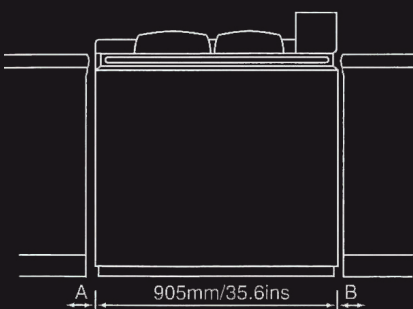
200 Series



300 Series



400 Series



Please Note:

1. On certain products, note dimensions A & B, a space may be required between adjacent surfaces.
2. Dimensions A & B vary according to model.
3. Typical dimensions only, please note therefore, slight differences dependent on model, please refer to individual product and technical guide instructions.

Dimensions

Rayburn Heatranger Classic



Model series	Hotplate & Oven Dimensions		
	HEIGHT	WIDTH	DEPTH
200 Series			
Hotplate	-	543mm/21.3ins	197mm/7.8ins
Main oven	305mm/12ins	356mm/14ins	403mm/15.8ins
Lower oven	203mm/8ins	356mm/14ins	403mm/15.8ins
300 Series			
Hotplate	-	543mm/21.3ins	273mm/10.7ins
Main oven	305mm/12ins	356mm/14ins	403mm/15.8ins
Lower oven	203mm/8ins	356mm/14ins	403mm/15.8ins
400 Series			
Hotplate	-	543mm/21.3ins	273mm/10.7ins
Main oven	305mm/12ins	356mm/14ins	403mm/15.8ins
Lower oven	203mm/8ins	356mm/14ins	403mm/15.8ins

